

Digital transistors (built-in resistors)

DTB114EK/DTB114ES

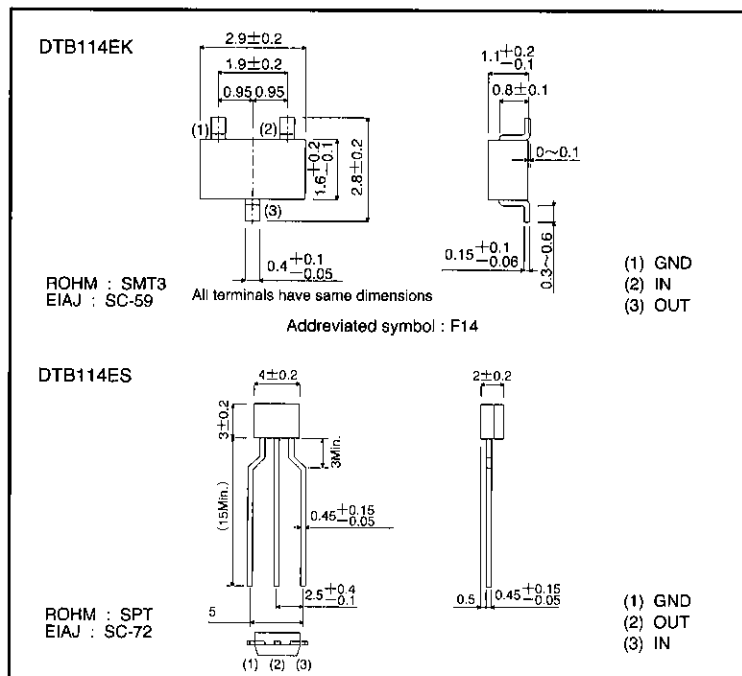
●Features

- 1) Built-in bias resistors enable the configuration of an inverter circuit without connecting external input resistors (see the equivalent circuit).
- 2) The bias resistors consist of thin-film resistors with complete isolation to allow positive biasing of the input. They also have the advantage of almost completely eliminating parasitic effects.
- 3) Only the on/off conditions need to be set for operation, making device design easy.

●Structure

PNP digital transistor
(Built-in resistor type)

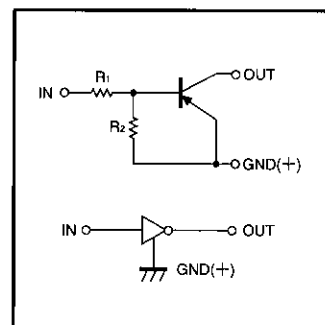
●External dimensions (Units: mm)



●Absolute maximum ratings (Ta = 25°C)

Parameter	Symbol	Limits(DTB114E□)		Unit
		K	S	
Supply voltage	V _{CC}	-50		V
Input voltage	V _{IN}	-40		V
		10		
Output current	I _c	-500		mA
Power dissipation	P _d	200	300	mW
Junction temperature	T _J	150		°C
Storage temperature	T _{stg}	-55~150		°C

●Equivalent circuit



(96-290-B114E)

●Electrical characteristics (Ta = 25°C)

Parameter	Symbol	Min.	Typ.	Max.	Unit	Conditions
Input voltage	$V_{i(off)}$	—	—	-0.5	V	$V_{cc} = -5V, I_o = 100 \mu A$
	$V_{i(on)}$	-3	—	—		$V_o = -0.3V, I_o = -10mA$
Output voltage	$V_{o(on)}$	—	-0.1	-0.3	V	$I_o/I_i = -50mA/-2.5mA$
Input current	I_i	—	—	-0.88	mA	$V_i = -5V$
Output current	$I_{o(off)}$	—	—	-0.5	μA	$V_{cc} = -50V, V_i = 0V$
DC current gain	G_i	56	—	—	—	$V_o = -5V, I_o = -50mA$
Input resistance	R_i	7	10	13	k Ω	—
Resistance ratio	R_2/R_1	0.8	1	1.2	—	—
Transition frequency	f_r	—	200	—	MHz	$V_{ce} = -10V, I_e = 5mA, f = 100MHz$ *

* Transition frequency of mounted transistor

●Packaging specifications

Type	Package	SMT3	SPT
	Package style	Taping	Taping
	Code	T146	TP
	Basic ordering unit (pieces)	3000	5000
DTB114EK		○	—
DTB114ES		—	○

●Electrical characteristic curves

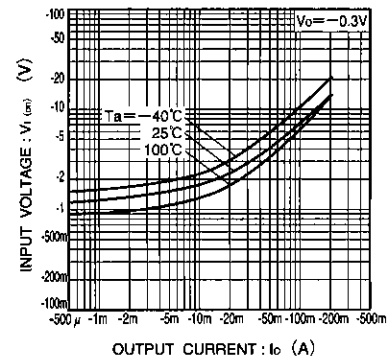


Fig.1 Input voltage vs. output current (ON characteristics)

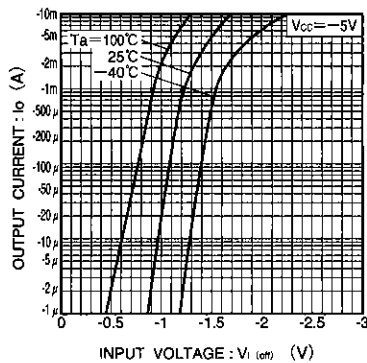


Fig.2 Output current vs. input voltage (OFF characteristics)

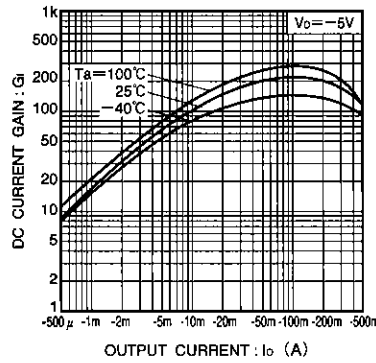


Fig.3 DC current gain vs. output current

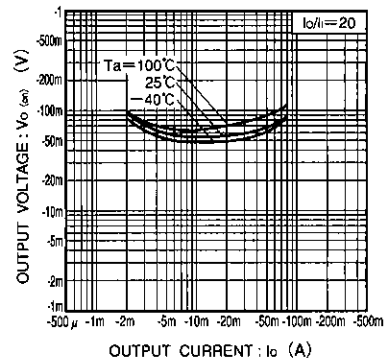


Fig.4 Output voltage vs. output current

Digital transistors

Notes

- The contents described in this catalogue are correct as of March 1997.
- No unauthorized transmission or reproduction of this book, either in whole or in part, is permitted.
- The contents of this book are subject to change without notice. Always verify before use that the contents are the latest specifications. If, by any chance, a defect should arise in the equipment as a result of use without verification of the specifications, ROHM CO., LTD., can bear no responsibility whatsoever.
- Application circuit diagrams and circuit constants contained in this data book are shown as examples of standard use and operation. When designing for mass production, please pay careful attention to peripheral conditions.
- Any and all data, including, but not limited to application circuit diagrams, information, and various data, described in this catalogue are intended only as illustrations of such devices and not as the specifications for such devices. ROHM CO., LTD., disclaims any warranty that any use of such device shall be free from infringement of any third party's intellectual property rights or other proprietary rights, and further, assumes absolutely no liability in the event of any such infringement, or arising from or connected with or related to the use of such devices.
- Upon the sale of any such devices; other than for the buyer's right to use such devices itself, resell or otherwise dispose of the same; no express or implied right or license to practice or commercially exploit any intellectual property rights or other proprietary rights owned or controlled by ROHM CO., LTD., is granted to any such buyer.

The products listed in this catalogue are designed to be used with ordinary electronic equipment or devices (such as audio-visual equipment, office-automation equipment, communications devices, electrical appliances, and electronic toys). Should you intend to use these products with equipment or devices which require an extremely high level of reliability and the malfunction of which would directly endanger human life (such as medical instruments, transportation equipment, aerospace machinery, nuclear-reactor controllers, fuel controllers, or other safety devices) please be sure to consult with our sales representatives in advance.

- Notes when exporting
 - It is essential to obtain export permission when exporting any of the above products when it falls under the category of strategic material (or labor) as determined by foreign exchange or foreign trade control laws.
 - Please be sure to consult with our sales representatives to ascertain whether any product is classified as a strategic material.